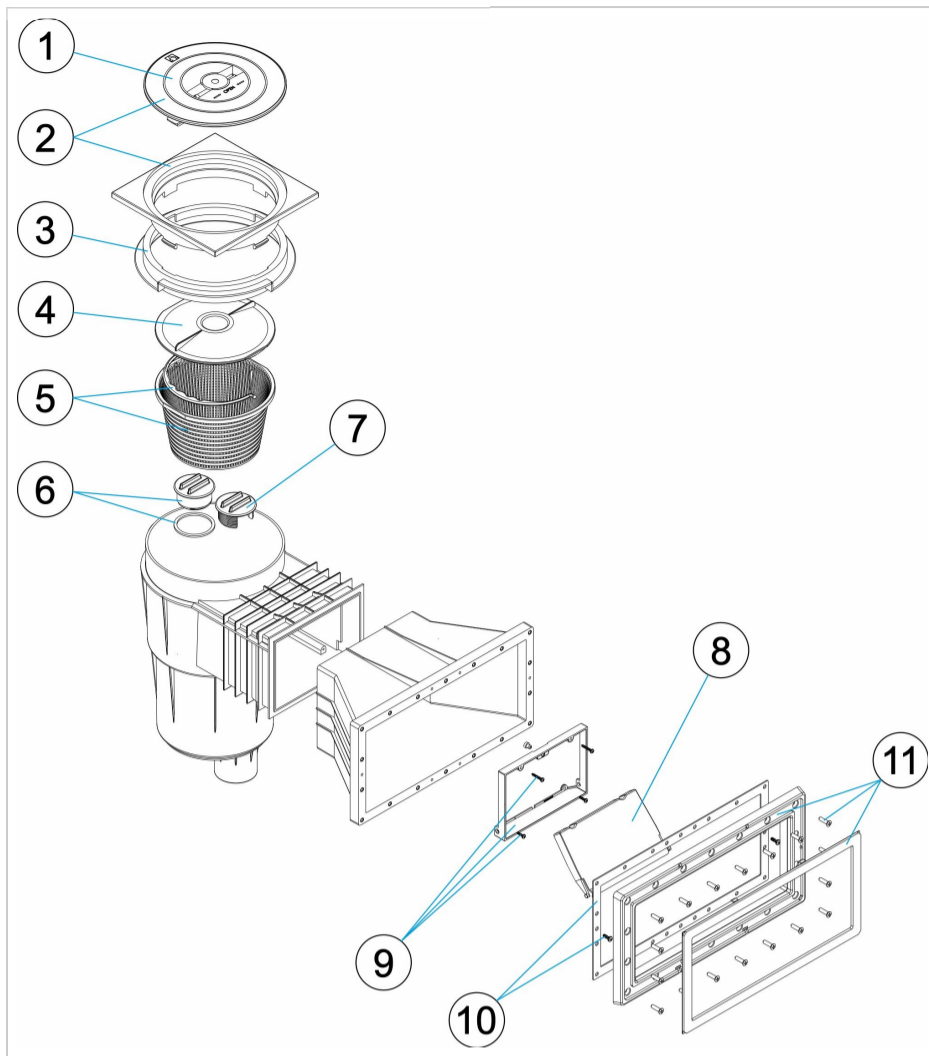


11311 - SKIMMER 17.5L PP WIDE MOUTH SQUARE COVER

Revision no.: 3 | Date: 15-09-2023

FLUIDRA
 Piezas del despiece (kits o unitarios)

POS.	CÓDIGO	DESCRIPCIÓN
1	4402010509	SKIMMER LID FOR WHITE
2	4402010510	SQUARE RIM AND LID FOR WHITE
3	4402010506	COLLAR EXTENSION RING FOR WHITE
4	4402010505	VACUUM PLATE
5	4402010504	BASKET 17,5 LITRES
6	4402010503	BLANKING PLUG AND 'O' RING
7	4402010502	REGULATING PLUG
8	4402010267	SKIMMER FLAP FOR WHITE
9	4402010508	FLAP FRAME FOR WHITE
10	4402014101	LINER POOL GASKET
11	4402010408	SKIMMER FRAME FOR LINER FOR WHITE

© 2024 Fluidra. All rights reserved. All trademarks and trade names used in this document are the property of their respective owners | [Privacy Policy](#) | [Disclaimer](#)
| [Cookies](#) | [Quality management](#)